



GRAND TETON

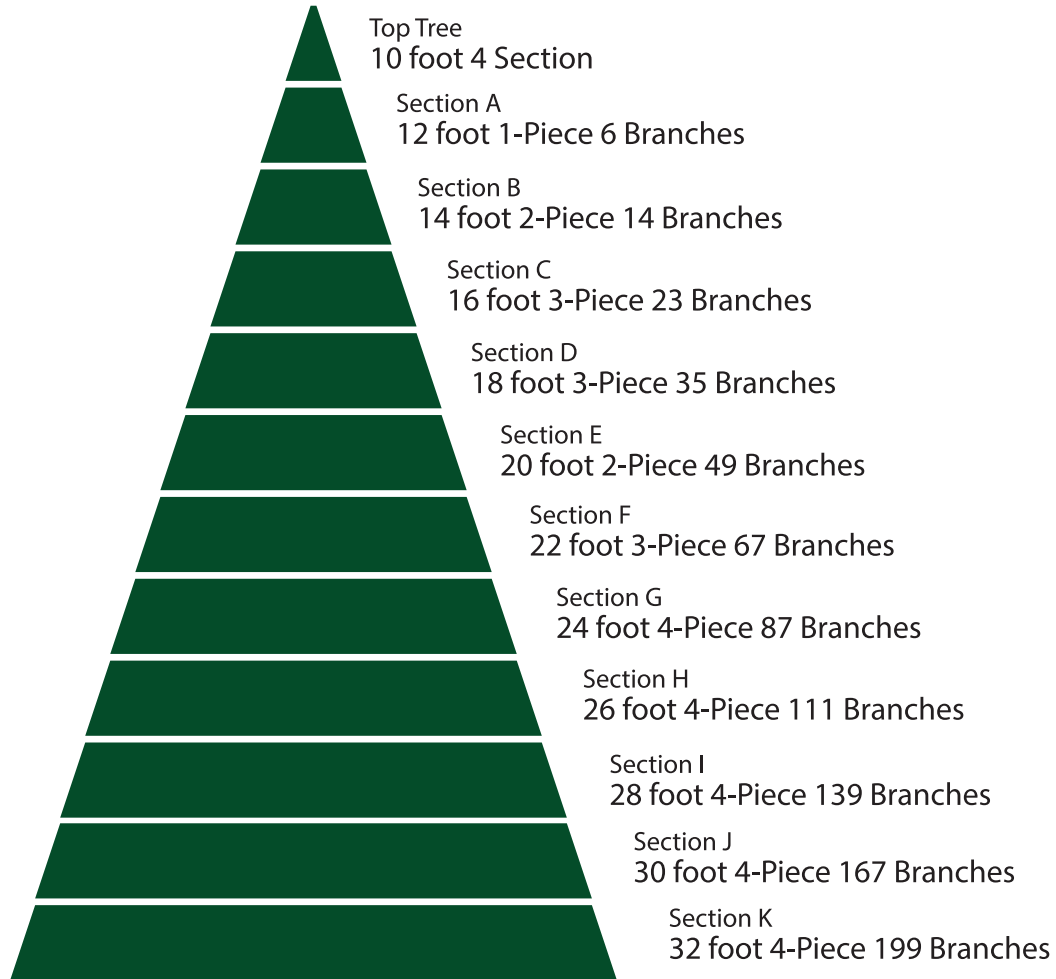
ASSEMBLY INSTRUCTIONS
14FT - 80FT TREES



V I C
K E R
M A N

FRAME PARTS

Begin by unwrapping each piece of the frame, making sure you have all of the parts. The number of parts varies depending on the size of your tree. Refer to the diagram below to see the correct number of parts for your particular tree. Once you have unpackaged all of your parts, you are ready to begin assembly. The Grand Teton will be assembled from the bottom section to the top.



Section L
34 foot 6-Piece 235 Branches

Section Q
44 foot 6-Piece 455 Branches

Section V
54 foot 8-Piece 757 Branches

Section M
36 foot 5-Piece 275 Branches

Section R
46 foot 6-Piece 509 Branches

Section W
56 foot 9-Piece 829 Branches

Section N
38 foot 6-Piece 317 Branches

Section S
48 foot 8-Piece 565 Branches

Section X
58 foot 9-Piece 901 Branches

Section O
40 foot 6-Piece 359 Branches

Section T
50 foot 8-Piece 629 Branches

Section Y
60 foot 9-Piece 973 Branches

Section P
42 foot 6-Piece 407 Branches

Section U
52 foot 8-Piece 693 Branches

Section Z
62 foot 12-Piece 1057 Branches

FRAME ASSEMBLY

STEP-1

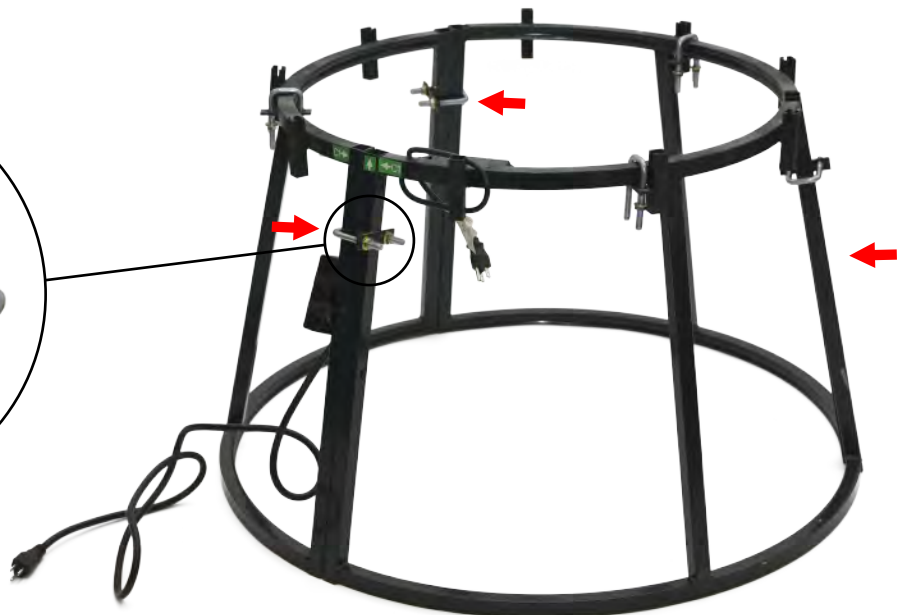
STEP 1-BOTTOM SECTION ASSEMBLY

Place each piece of the section you are working on next to each other, making sure that the numbers line up. For example, C1 should touch C1, C2 should touch C2, and C3 should touch C3.



STEP-2

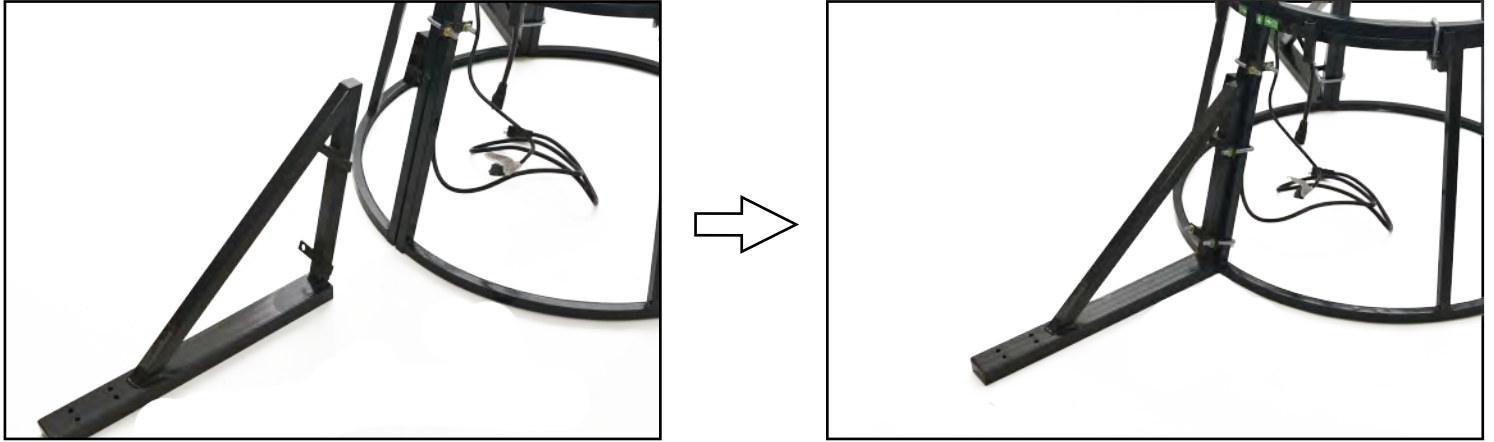
Once all sections are aligned, you can begin securing each vertical seam. Using the pre-drilled holes, insert the U-bolt and tighten the nuts until the piece is secured. Repeat this process until each piece is connected.



STEP - 3

STAND ATTACHEMENT

When your bottom section is secured, attach the tree stand to the vertical seams using the special U-bolts provided with the legs.



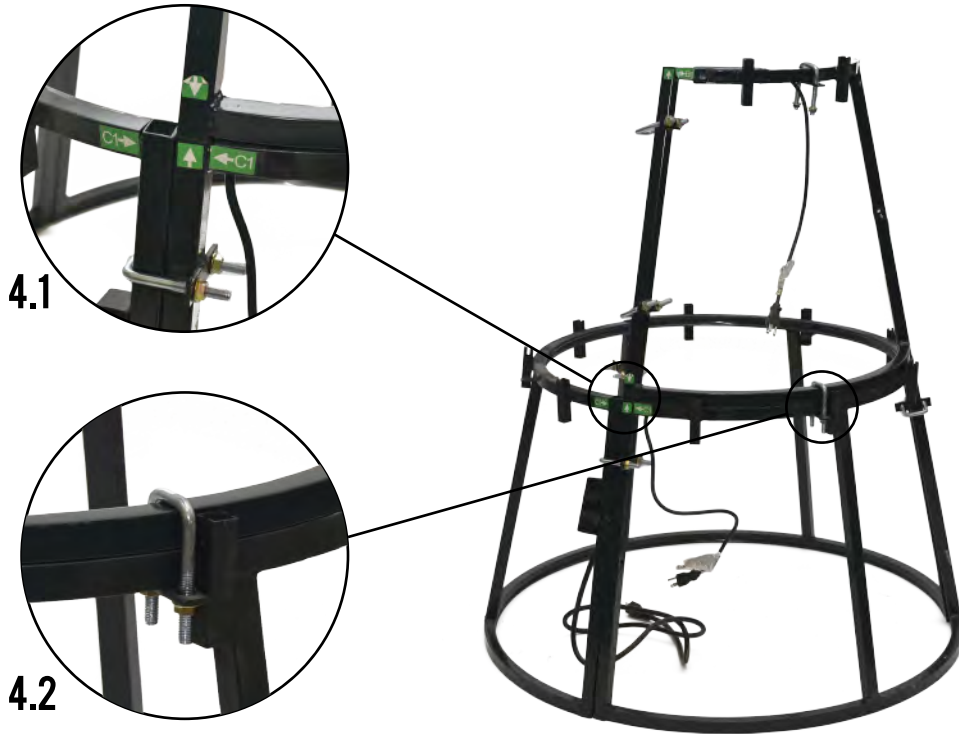
Note: If your tree is being used outdoors, bolt the stand to the ground using the pre-drilled holes. This will provide your tree with extra stability.



Note: The bottom section of your frame should be similar to this depending on the height of your tree.

STEP-4 REMAINING SECTION ASSEMBLY

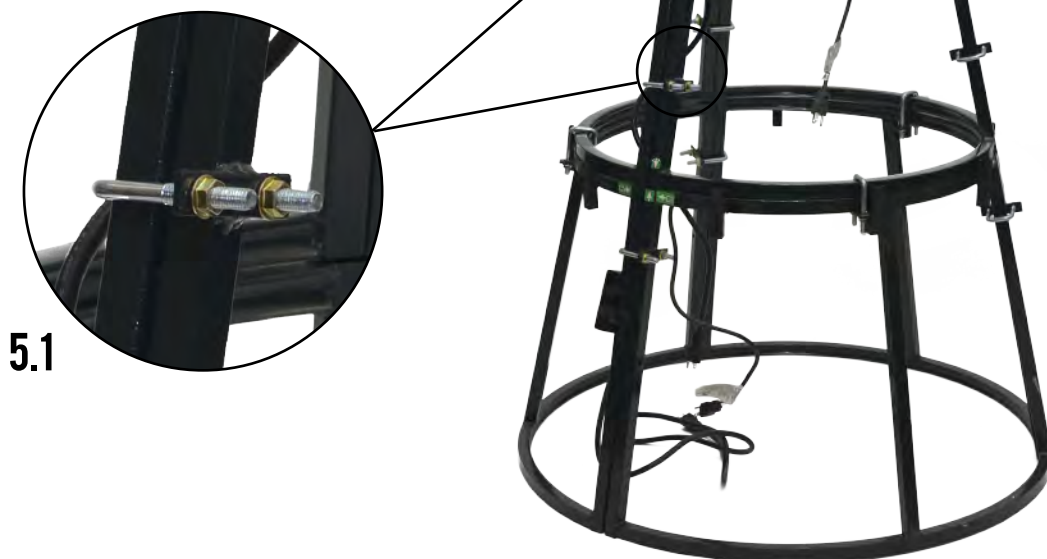
Attach one piece of the next section at a time. Begin with the piece with the down arrow in the lower left-hand corner. Line this piece up with the up arrow of the previous section. **IMAGE 4.1** Secure the horizontal seams with the provided U-bolts. Repeat this process for the remaining sections of the tree. **IMAGE 4.2**



STEP-5

After the horizontal seams of each piece are all connected, secure the vertical seams of this section with the provided U-bolts. Repeat this process for all of the vertical seams for this section. **IMAGE 5.1**

Repeat steps 4 & 5 for the remaining sections of your tree

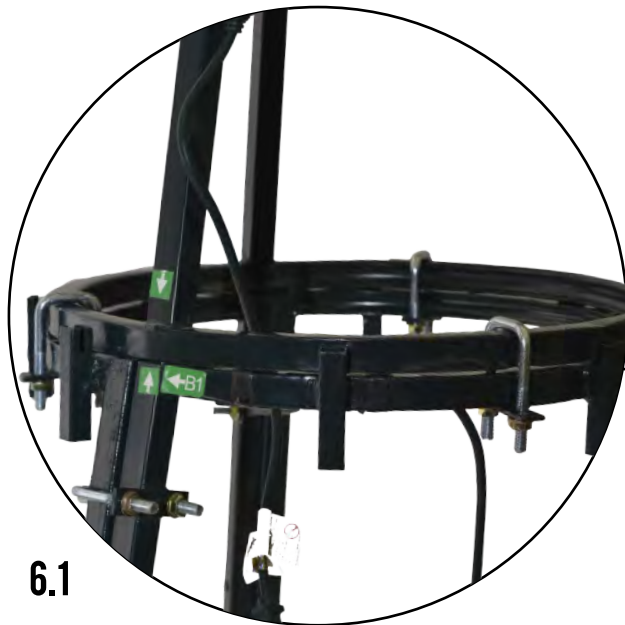
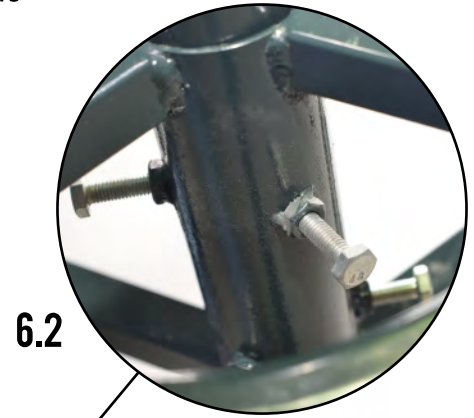


STEP-6

A-SECTION ASSEMBLY

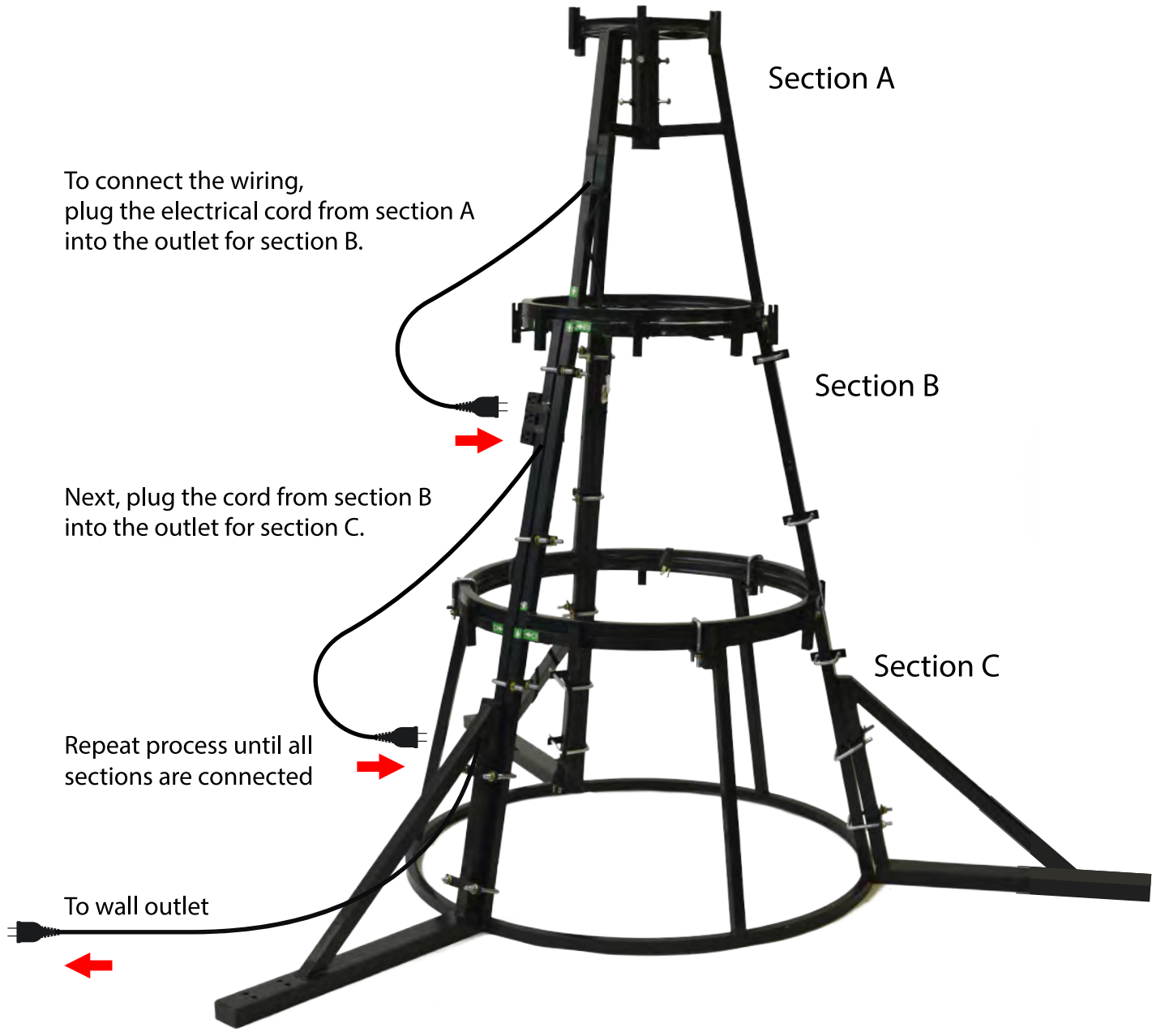
To attach section A, place piece on top of section B, making sure the arrows line up. Tighten the U-bolts to secure the horizontal seams. **IMAGE 6.1**

Loosen anchor bolts before moving on to the next step. **IMAGE 6.2**



STEP-7

WIRING THE FRAME



Section A

To connect the wiring, plug the electrical cord from section A into the outlet for section B.

Section B

Next, plug the cord from section B into the outlet for section C.

Section C

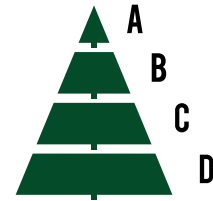
Repeat process until all sections are connected

To wall outlet

TOP TREE ASSEMBLY

STEP-1

Locate the boxes containing the top section of your tree. There should be 4 parts to the top of your tree (A,B C & D).



STEP-2

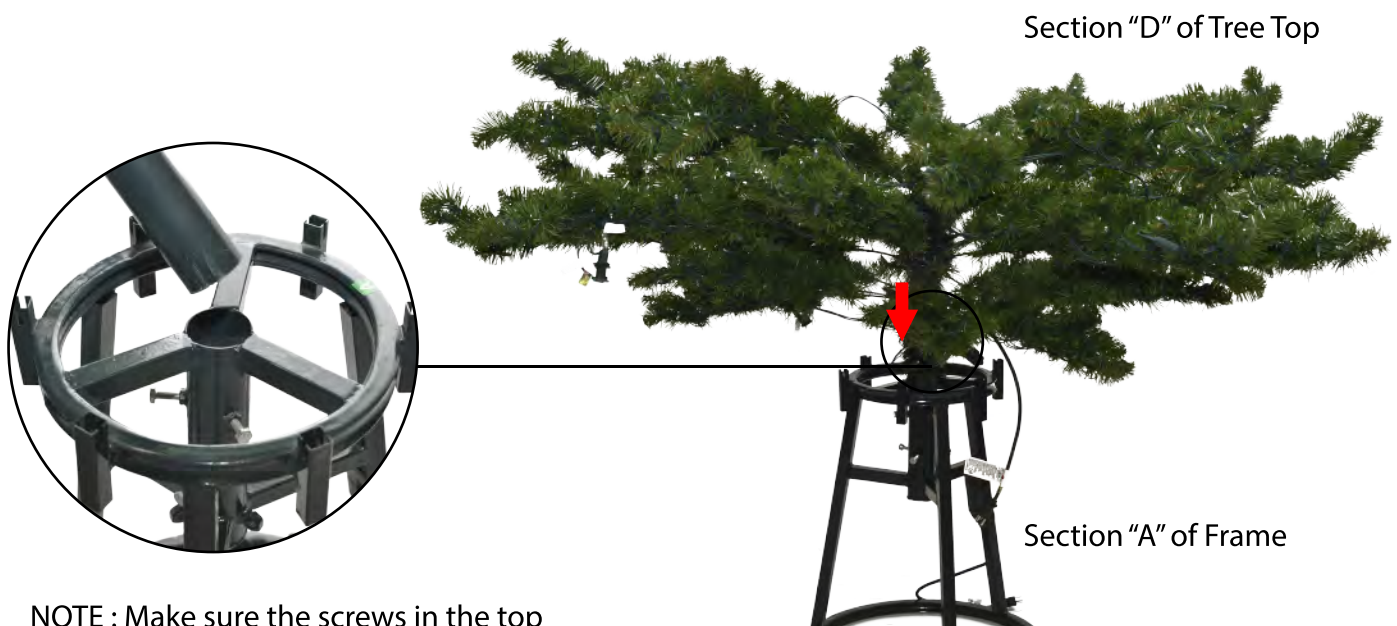
Shaping your tree:

Spread out the branches in a V-pattern, alternating the direction of the branches. Your tree will have the most natural look by arranging some branches to the left and right and some vertically. Repeat this step for all sections of the top tree.



STEP-3

Insert the bottom section "D" of your treetop into section "A" of the frame.



NOTE : Make sure the screws in the top of the metal frame are loose so the pole will slide completely into the frame.

STEP-4

Tighten the screws in the metal frame to secure the bottom section of the treetop.



STEP-5

Insert the next section "C" into the bottom section "D".

Repeat the process for the next 2 sections ("A" & "B") to complete the top of the tree.



STEP - 6

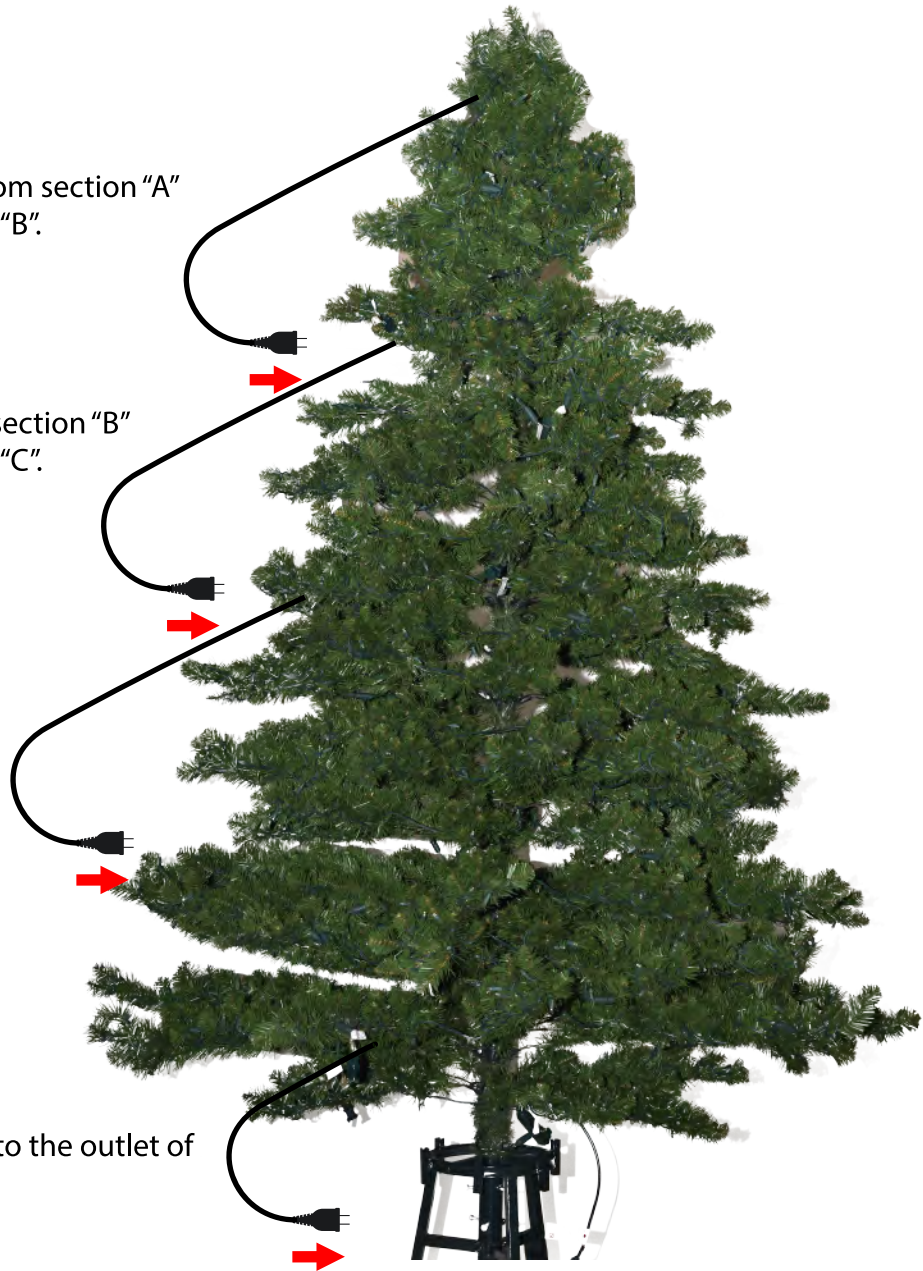
WIRING THE TOP TREE

To connect the wiring, plug the electrical cord from section "A" into the outlet for section "B".

Next, plug the cord from section "B" into the outlet for section "C".

Then plug the cord from section "C" into the outlet for section "D".

Finally Plug Section "D" into the outlet of section "A" of the frame.



BRANCH ATTACHMENT

STEP-1

Note: All branches will be the same for all sections of the tree.

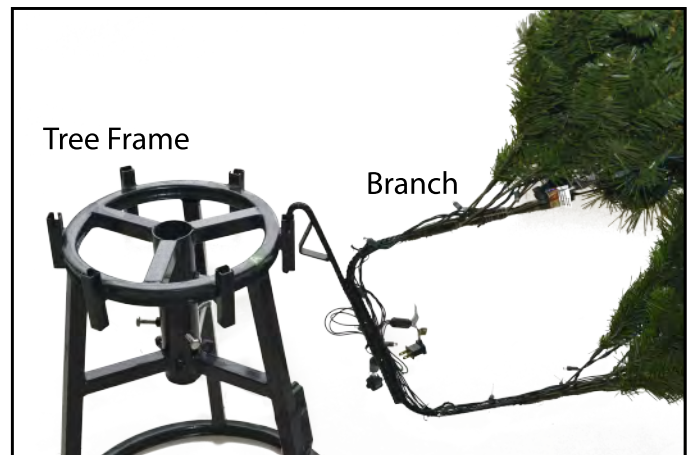
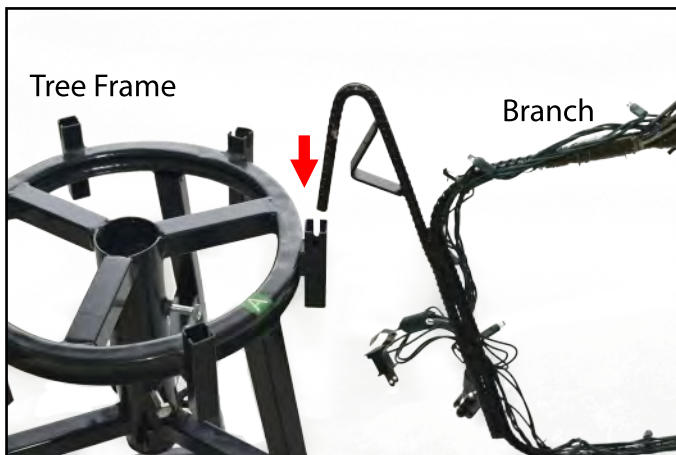
Shaping your branches:

Branches must be shaped before being attached to the frame. Spread out the sections of the branch, alternating the direction of the tips. Your tree will look full by arranging some branches to the left and right and some vertically.



STEP-2

Once the branches have been shaped, start at the top of the frame section "A". Hook the shaped branch onto the metal frame by inserting the branch rod into the holder. Plug the branch into the main power supply.



STEP-3

Working in a circle around the frame, insert a second branch and connect the wiring to the previous branch. Repeat this process for each branch on the frame.

Repeat Step 2 & 3 for each section of the frame.